



GT-K90

Fixed Gas Detector

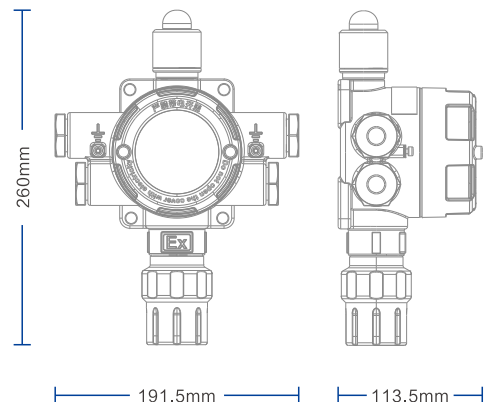


II 2 G Ex db IIC T6 Gb
II 2 D Ex tb IIIC T80°C Db

SIL  FC RoHS CE

Technical Parameters

Sensor:	Electrochemical, catalytic combustion, semiconductor, PID, infrared gas sensor
Sampling Method:	Diffusion
Working Temperature:	-40°C~70°C
Response Time:	T ₉₀ <60s
Operating Voltage:	DC 24-36V±15%
Protection Grade:	IP66



GT-K90 Fixed Gas Detector



This gas detector supports customization of more than 300 kinds of gases such as CO, EX, H₂S, CO₂, O₂, CH₄, O₃, SO₂, HCL, etc., and supports customization of different ranges. This gas detector is a smart products with various communicate methods and display in real time. This product uses 2.4 inches inch industrial-grade OLED screen with high stability, high accuracy and high intelligence real time monitoring and alarming can be carried out through simple settings.

After the gas to be measured touches the sensor, the sensor will generate an electrical signal consistent with the concentration of the gas to be measured, which is sent to the ADC for acquisition and converted into a digital signal through the analog conditioning circuit, and then the concentration of the gas to be measured is displayed on the display screen.

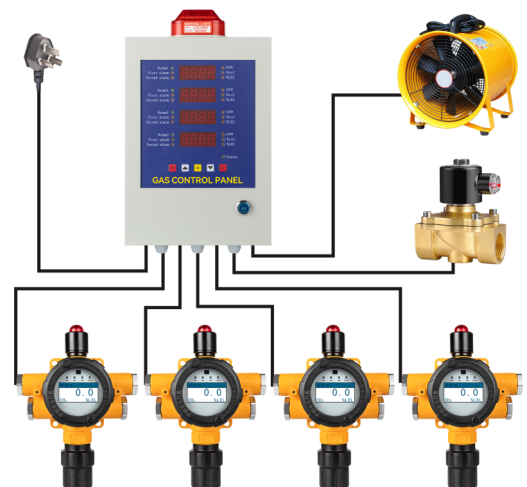
Product Features

- Integrated sound and light alarm indication
- SD memory card plus FLASH
- Full-scale temperature compensation, over-range protection
- Replace the sensor no need calibration
- Independent RTC clock
- IP66 protection grade



Technical Parameters

Connection port	M27*1.5mm
Working pressure	86~106Kpa
Zero drift	≤ ±2%FS/Year
Cable	3×1.5mm ² , 4×1.5mm ² shielded cable
Relay	Three groups of relay outputs, contact capacity:30VDC 2A
Dimension and weight	260mm*191.5mm*113.5mm, about 2.1kg



+86 371-86533226 sales@bosean.com
 Block 10. Yida New Park No. 16 JinZhan Road, High-Tech zone, Zhengzhou, Henan Province.