

BH-BX101

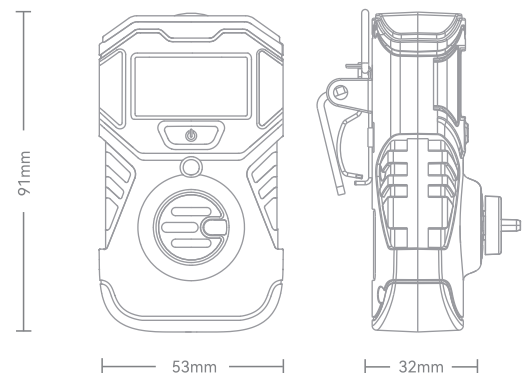
Disposable Single Gas
Detector with Two-year
Battery Life

IP67



Technical Parameters

Detection method	Natural diffusion	Response time	T90≤60s
Working environment	Temperature -10°C~55°C; humidity<95%RH no dew	Operating Voltage	DC3.6V
Display method	LCD Segment screen	Alarm method	Sound, light, (vibration optional); support TWA/STEL alarm.
Alarm sound	90dB@10cm	Data storage	The latest 50 alarm events
Data communication	Optional	Protection level	IP67
Product weight	About 116g	Dimension	91*53*32mm (without back clip);





BH-BX101 Portable Gas Detector

The detector adopts natural diffusion sampling to sample gas and high-quality gas sensors for gas detection. It has good sensitivity and excellent repeatability, easy to use and maintain, and greatly meets the requirements of industrial on-site safety detection for high reliability of equipment. The shell is made of high-strength engineering plastics and composite anti-slip rubber, which has high strength, good feel, water-proof, dust-proof, and explosion-proof. It can be widely used in industries and fields such as petroleum, chemical industry, environmental protection, smelting, refining, biochemical medicine, agriculture, scientific research, and universities.

Product Features

- ◆ Ultra-wide viewing angle LCD display
- ◆ Small size
- ◆ 2-year disposable gas detector
- ◆ Store 50 alarm events
- ◆ Calibration reminder, life count down check
- ◆ IP67 protection grade
- ◆ Infrared communication, communication base optional, with PC software



Technical Parameters

Gas type	Range	Low alarm	High alarm	Resolution
H ₂ S	(0~100)PPM	10PPM	35PPM	1PPM
CO	(0~1000)PPM	50PPM	150PPM	1PPM
O ₂	(0.0~30.0)%VOL	19.5%VOL	23.5%VOL	0.1%VOL



+86 371-86533226

sales@bosean.com

Block 10, Yida New Park No. 16 JinZhan Road, High-Tech zone, Zhengzhou, Henan Province.